

# INNOVATIVE AUTOMATION, INC.

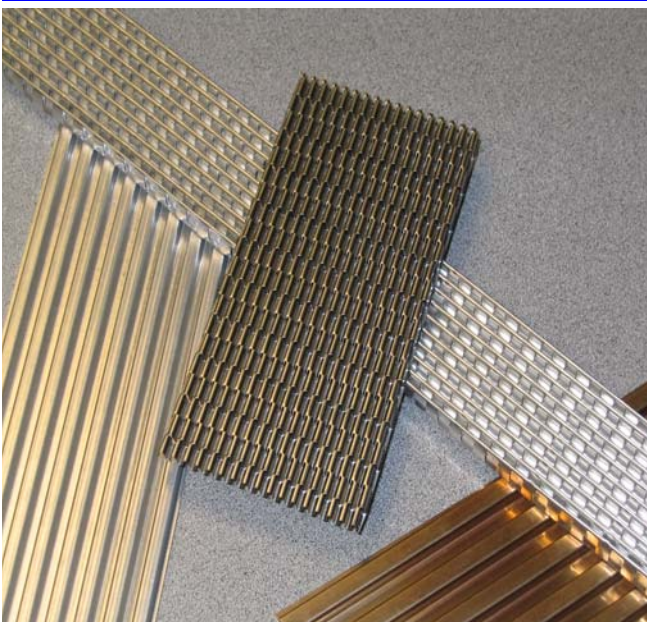
## SMRP18

High Efficiency Fins, Heat Sinks, and Decorative Panel applications are in higher and higher demand. Quality equipment to produce these products continue to be rare.

We have developed the SMRP to meet the needs of flat form technology with a modern version of a classic mechanical system.



## SMRP18 Servo Mechanical Reciprocating Press

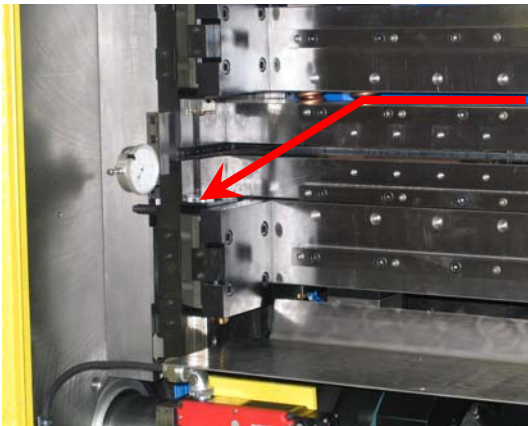


By taking advantage of state of the art controls and mechanical systems, the SMRP18 provides improved performance, speed, reliability, and flexibility for all stamping applications.

Lanced Offset  
Plain  
Herringbone  
Wavy

Cutoff and Handling Options are also available.

# INNOVATIVE AUTOMATION, INC.

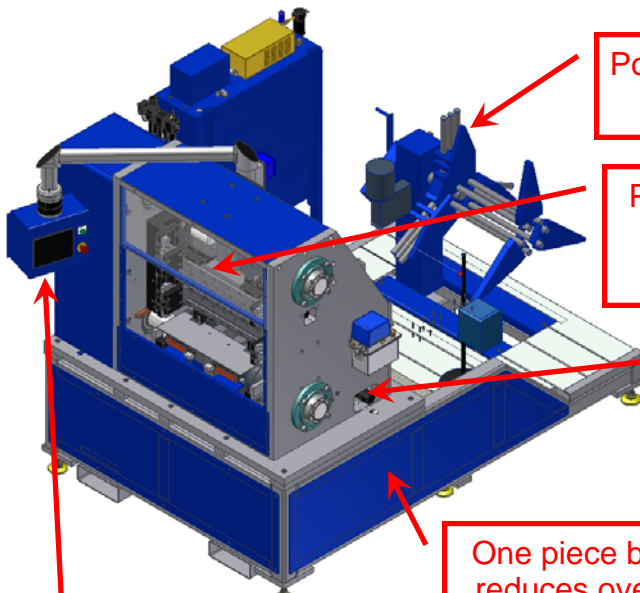


Profile Rails replace posts of traditional presses ...

... with linear bearings for increased strength and precision.



## SMRP18 Servo Mechanical Reciprocating Press



Powered Uncoiler  
75 lb cap.

Precision Cams for  
Stroke and Feed  
Integration

**Feed Stroke Adjustable for density as low as 4 fpi**  
**Forming Stroke for fins up to 0.500" in height.**  
**Up to 240 Strokes/Minute for 120 Convolution/Minute**

Servo Feed Stroke  
Adjustment for Improved  
Setup and Control

Material Lube with  
High Viscosity  
Pump

One piece base  
reduces overall  
machine footprint

Color Touch Screen  
Operator Interface  
For Setup and  
Diagnostics

Adjustable Material  
Entrance Guides

Automatic  
Bearing Lube

Servo Cam Rotation for Precise  
Rotation and Setup Improvement

